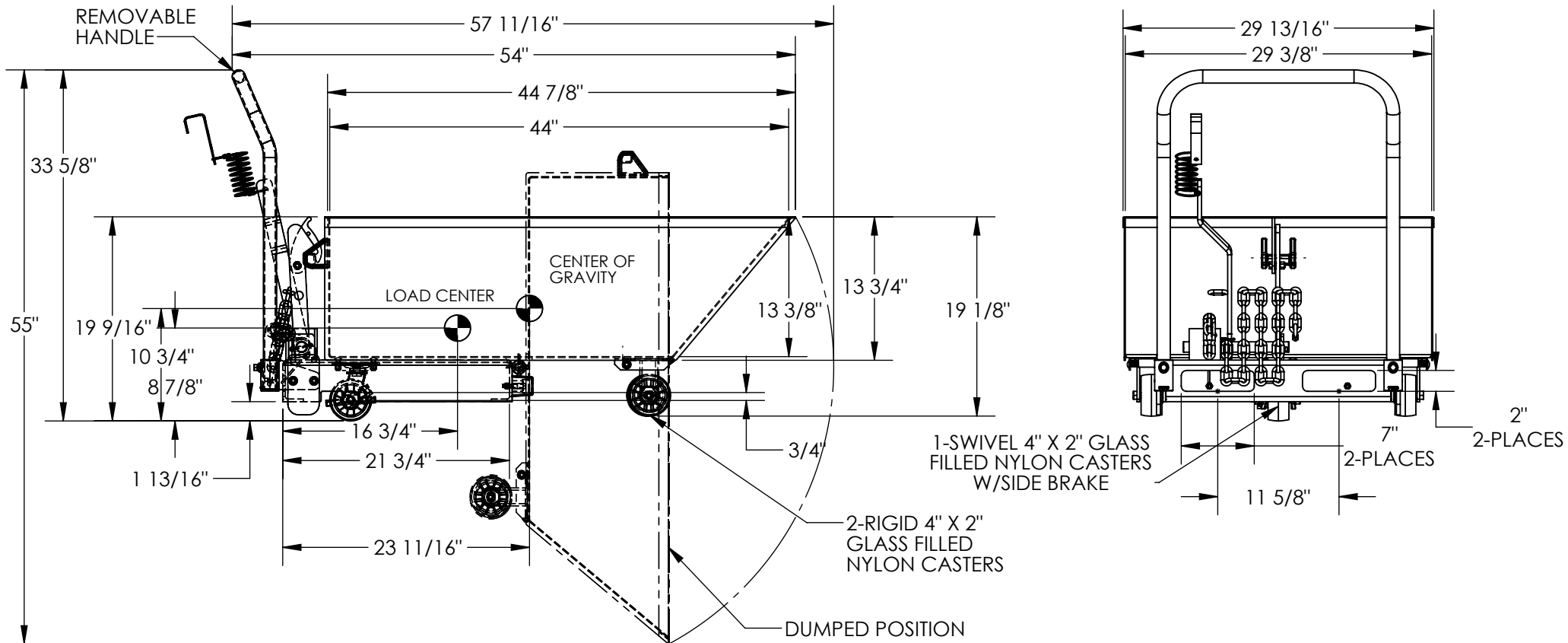


LOW PROFILE PARTS HOPPER - HOP-LP-N

APPROX WEIGHT: 209.23 lbs.
DOES NOT INCLUDE WEIGHT OF POWER OR PACKAGING!!!

*** ANY ADDITIONS, DELETIONS, OR OMISSIONS MUST BE CORRECTED ON THIS DRAWING AS THIS DRAWING WILL BE CONSIDERED ALL INCLUSIVE ***

ALL GRAPHICS PROVIDED ARE FOR REFERENCE ONLY. IF CERTAIN DIMENSIONS ARE CRITICAL PLEASE VERIFY THOSE DIMENSIONS WITH YOUR SALESPERSON



DIMENSION TOLERANCE ± 1/4"

NEVER EXCEED LOAD CENTER RATING PER FORK TRUCK MANUFACTURER'S GUIDELINES. DO NOT USE THIS FORK TRUCK ATTACHMENT IF LOAD WILL EXCEED FORK TRUCK MANUFACTURER'S LOAD CENTER RATING.
APPROX. WEIGHT/ LOST LOAD=209.23 LBS.
EFFECTIVE THICKNESS= FORK LENGTH MINUS 21 3/4"

STANDARD FEATURES

- MODEL NUMBER IS HOP-LP-N
- CAPACITY: 2,000 LBS.
- VOLUME: 1/3 CUBIC YARD
- OVERALL WIDTH: 29 13/16"
- OVERALL LENGTH: 54"
- OVERALL HEIGHT: 33 5/8"
- WORK ENVELOPE: 29 13/16"X57 11/16"X55"
- CHUTE SIZE: 29 13/16"X44 7/8"X13 3/4"
- RELEASE CABLE LENGTH: AT LEAST 48"
- FORK POCKETS: 7" W X 2", 11 5/8" ON CENTER
- 1-SWIVEL 4" X2" GLASS FILLED NYLON CASTERS W/ LOCK
- 2- RIGID 4"X2" GLASS FILLED NYLON CASTERS
- TOUGH BAKED IN POWDER COATED BLUE FINISH

SPECIAL FEATURES

NONE

APPROVAL

I, THE UNDERSIGNED, AGREE THAT THE PRODUCT AS REPRESENTED SATISFIES DESIGN AND DIMENSION REQUIREMENTS. I ALSO ACKNOWLEDGE MY DUTY TO CONFIRM PRODUCT AND INSTALLATION COMPLIANCE WITH ALL APPLICABLE FEDERAL, STATE AND LOCAL REGULATIONS AND STANDARDS.
ANY MODIFIED UNITS ARE NON-RETURNABLE
[] As drawn [] As marked

Signed: _____ Date: _____
Printed Name: _____

LEAD TIME WILL START UPON RECEIPT OF SIGNED APPROVAL DRAWING

FOR INTERNAL USE ONLY PROJECT SIGN OFF	
SALES	
ENG.	
FAB.	
POWER	

DISTRIBUTOR'S NAME:		P.O.#
VESTIL MANUFACTURING		X
DRAWN BY: CRM		DATE: 02/11/2011
REFERENCE: X		SCALE: 1:14
QUOTED LEAD TIME: X		QUOTE # X
		W.O.# X
		SALES: X
		FILE NAME: 37-007-084